

Figure 1

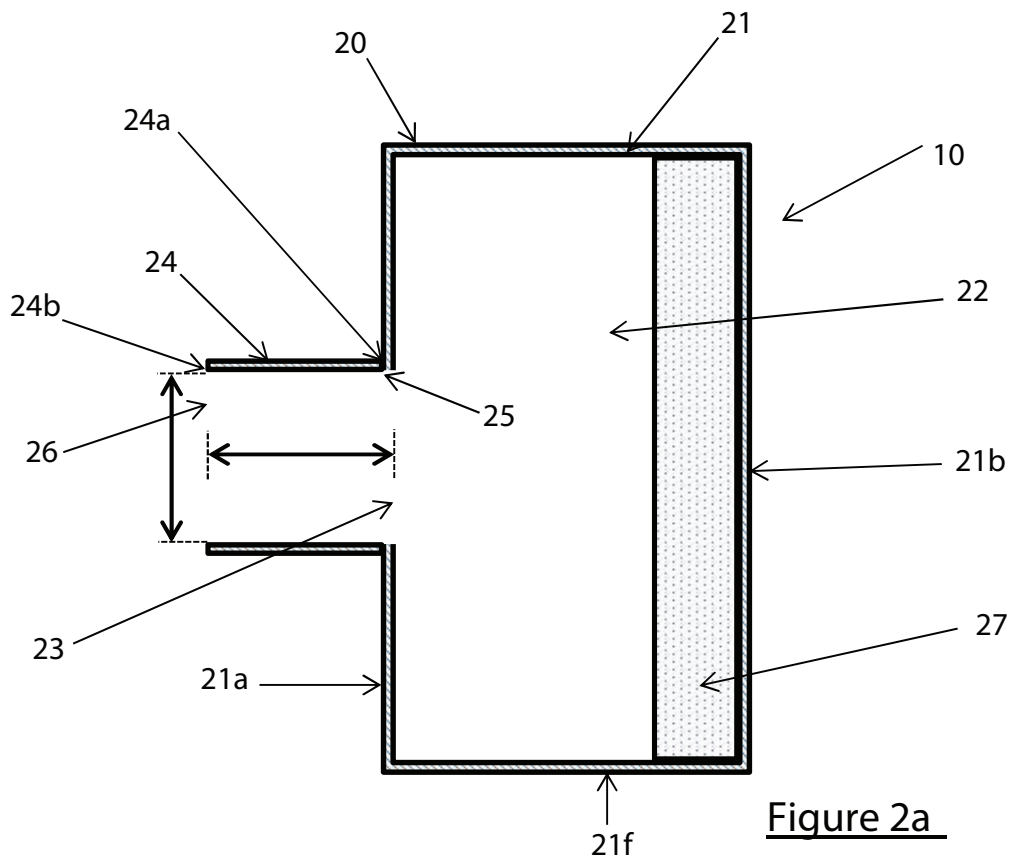


Figure 2a

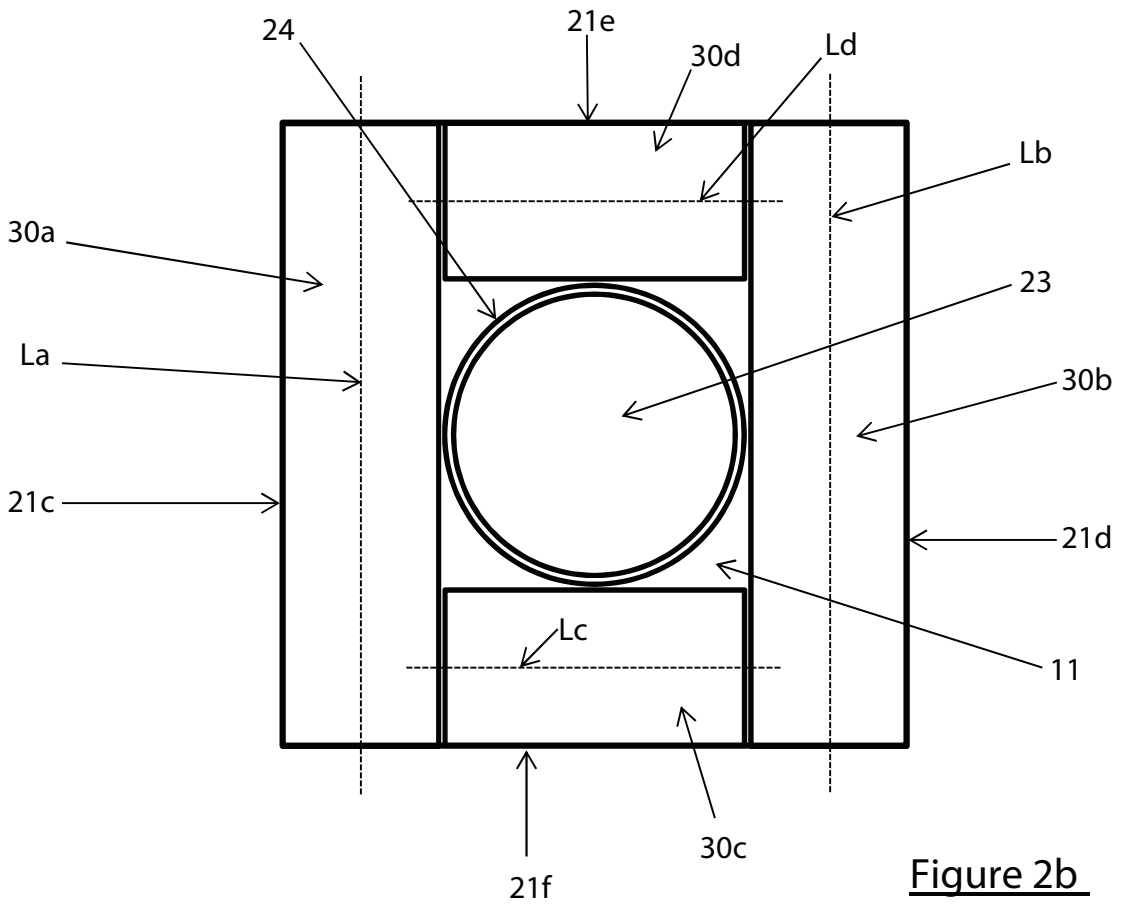


Figure 2b

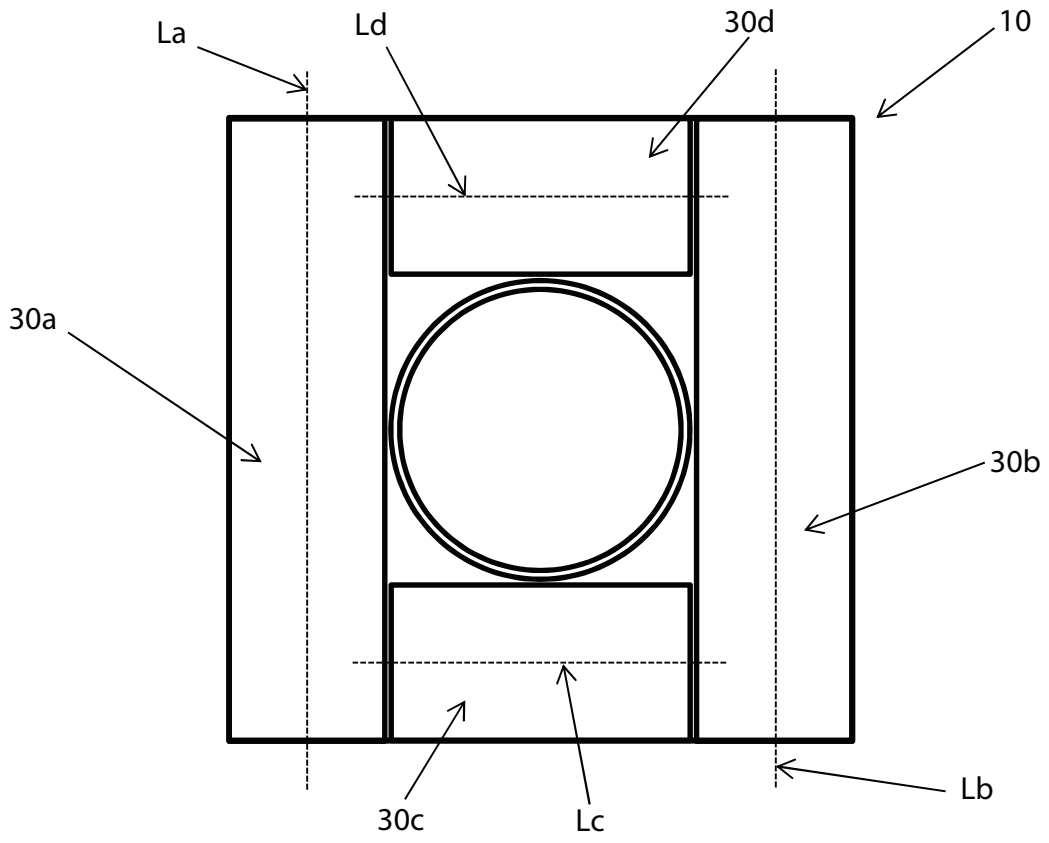


Figure 5a

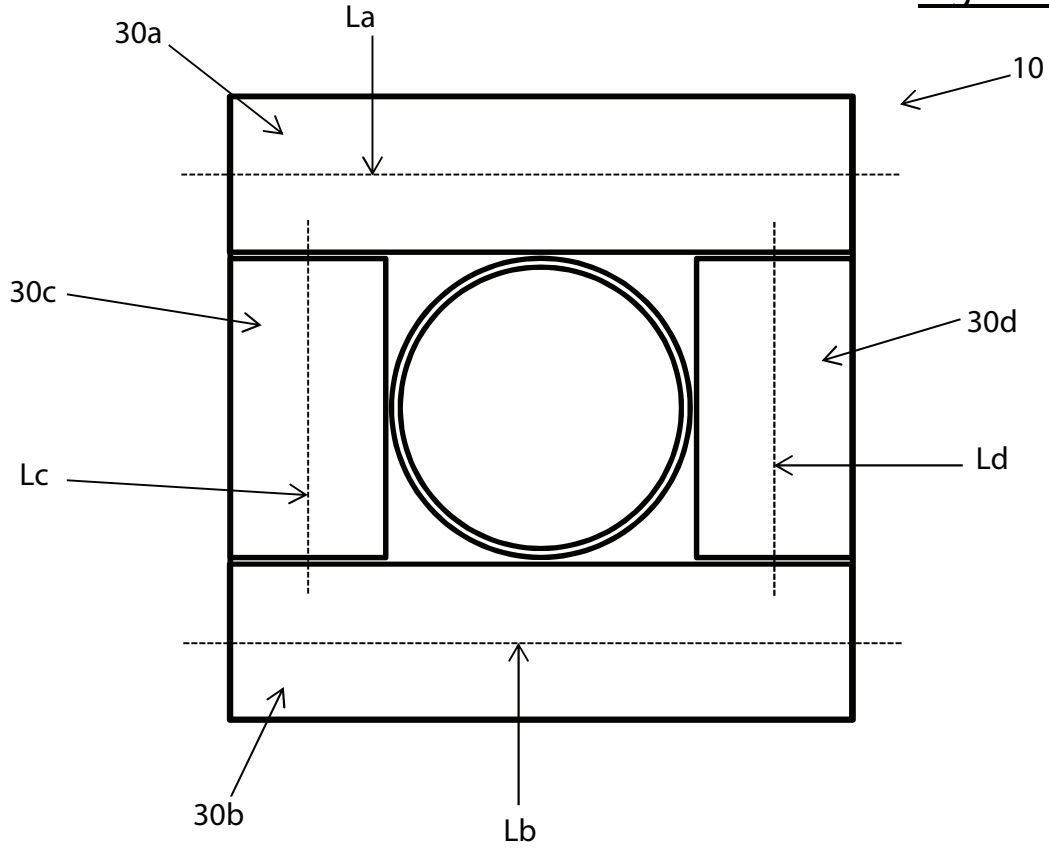


Figure 5b

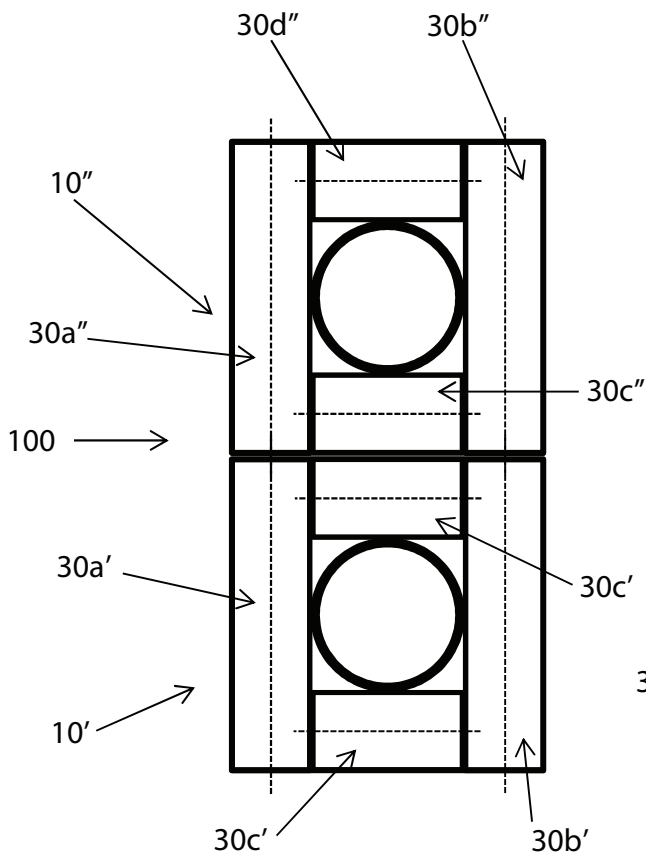


Figure 6a

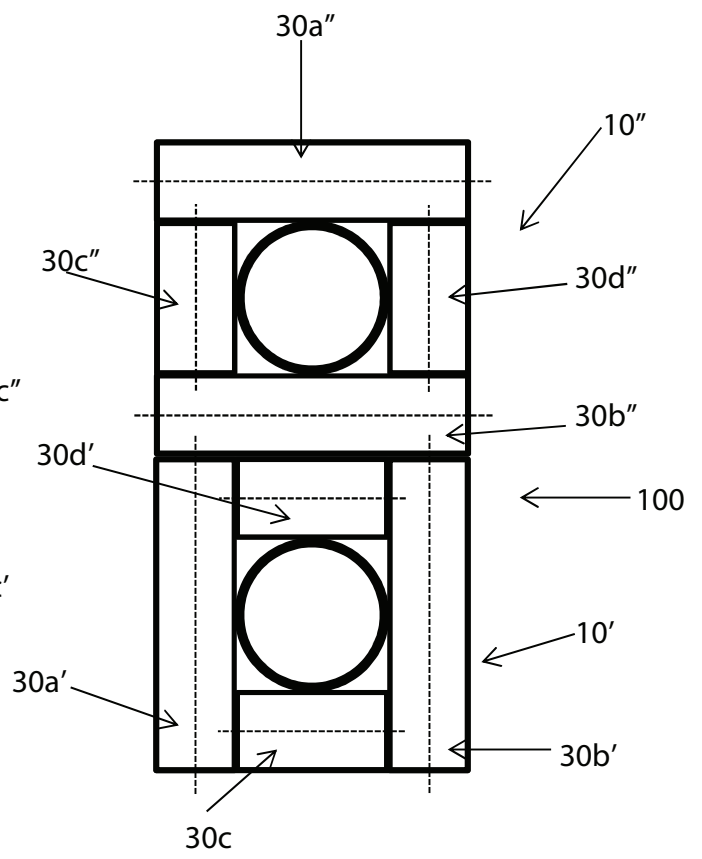


Figure 6b

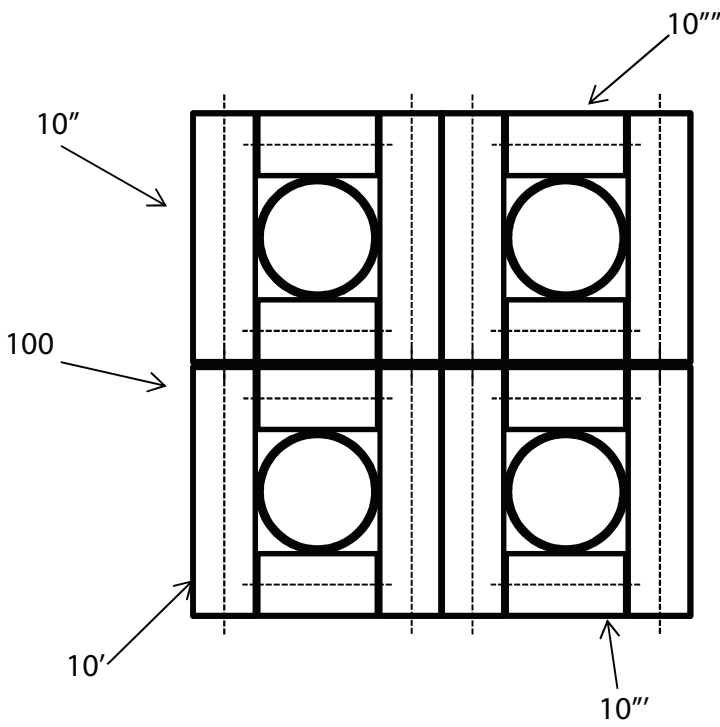


Figure 7a

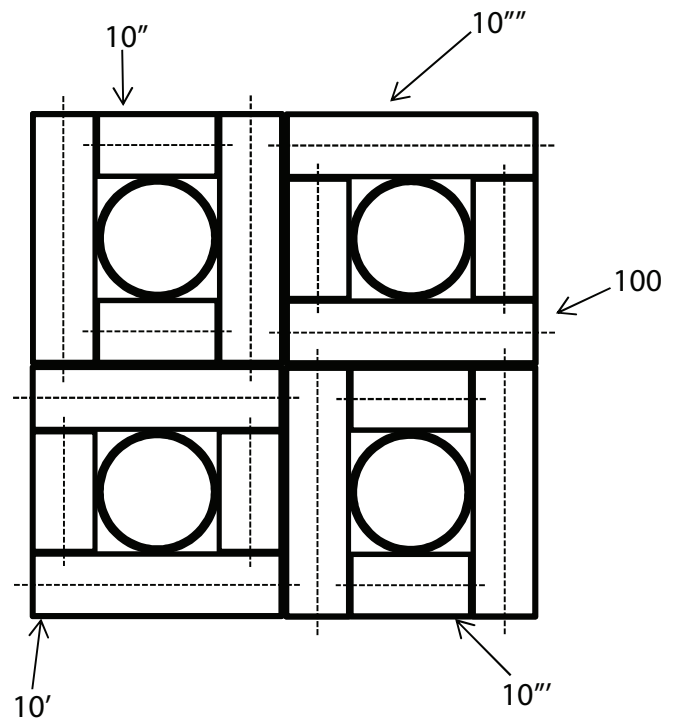


Figure 7b

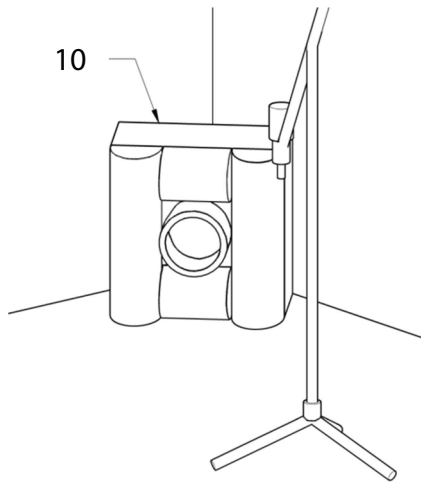


Figure 8a

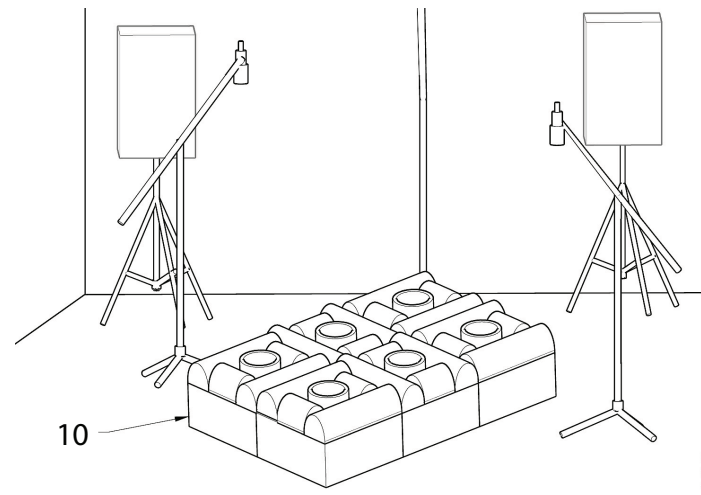


Figure 8b

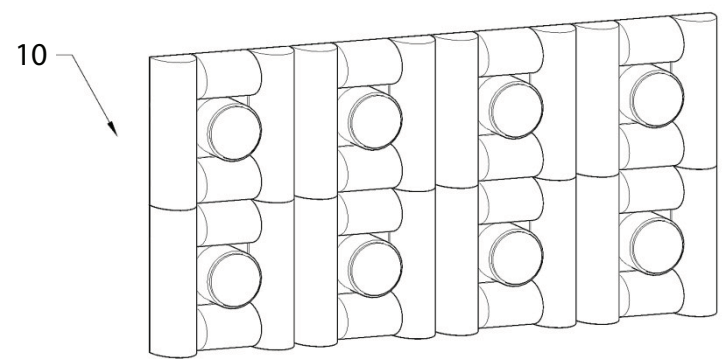


Figure 8c

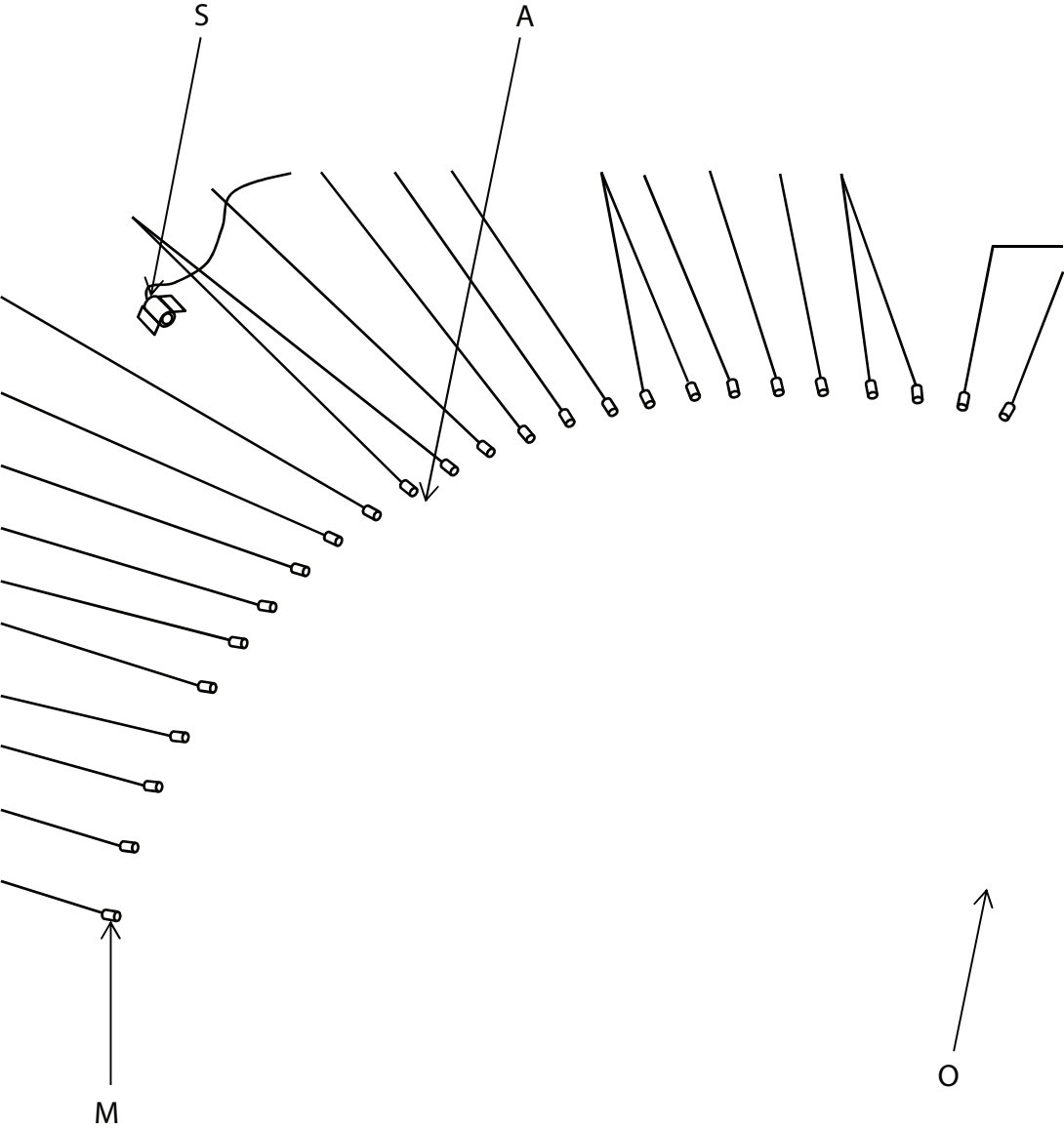


Figure 11

Orientation A

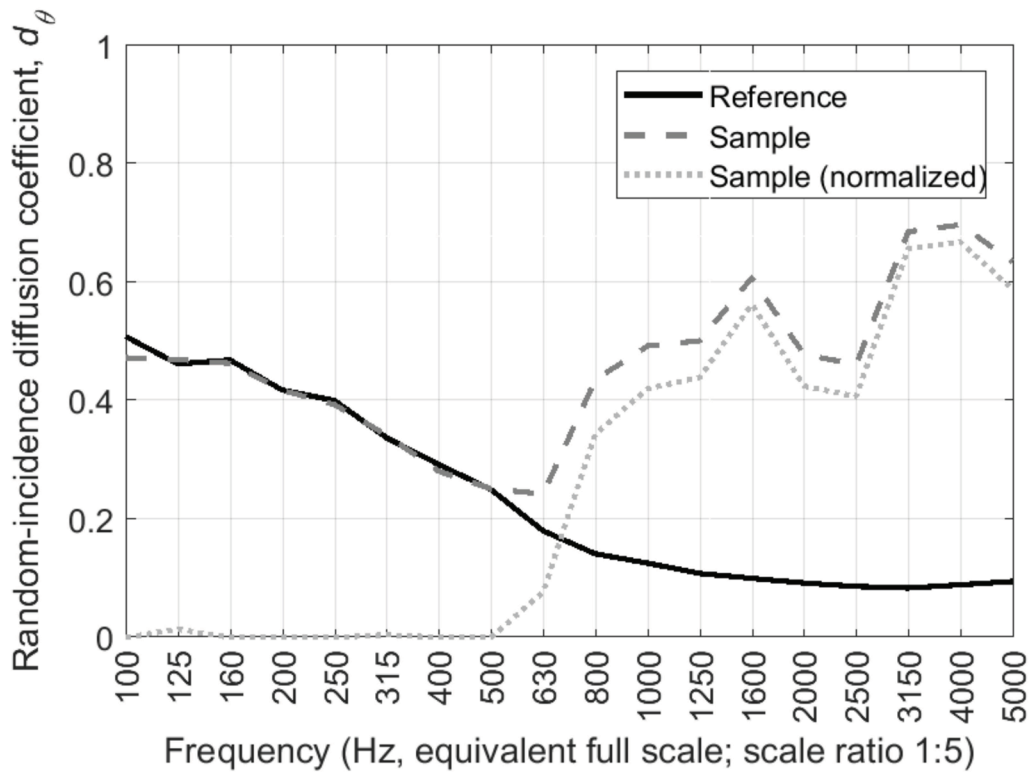


Figure 12a

Orientation B

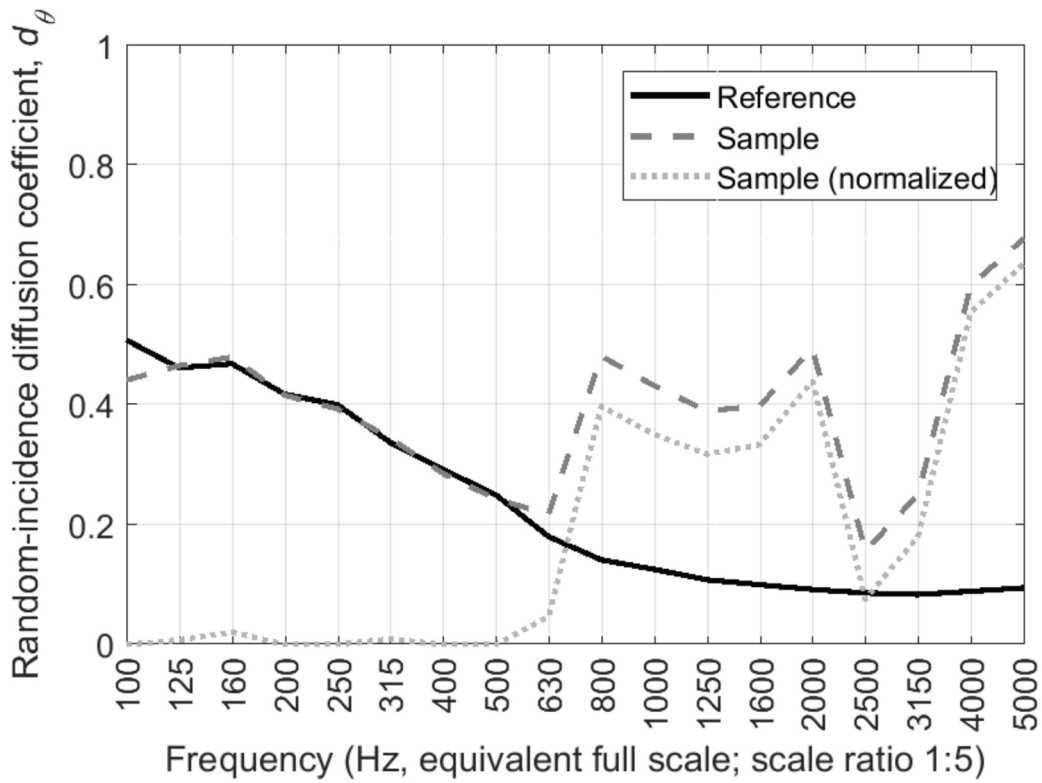


Figure 12b

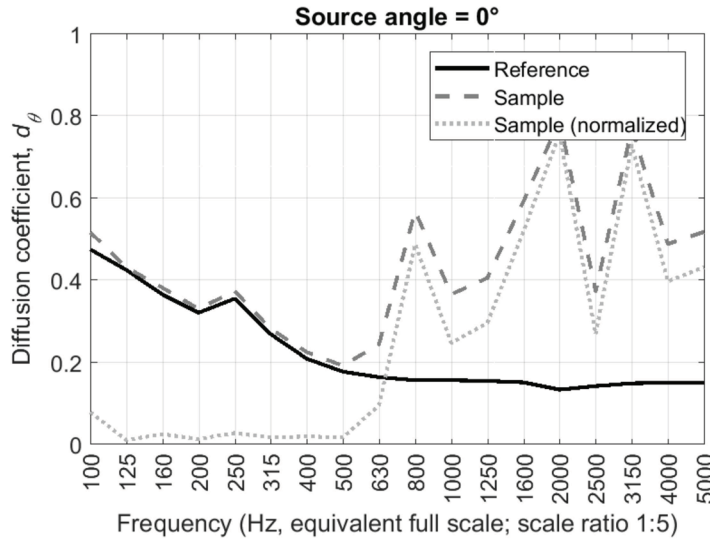


Figure 13a

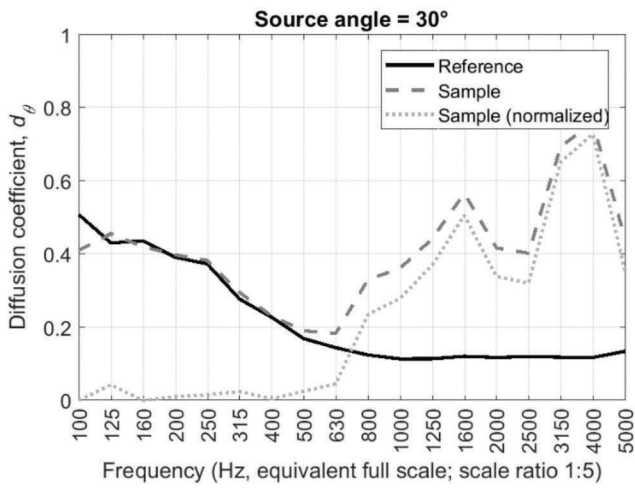


Figure 13b

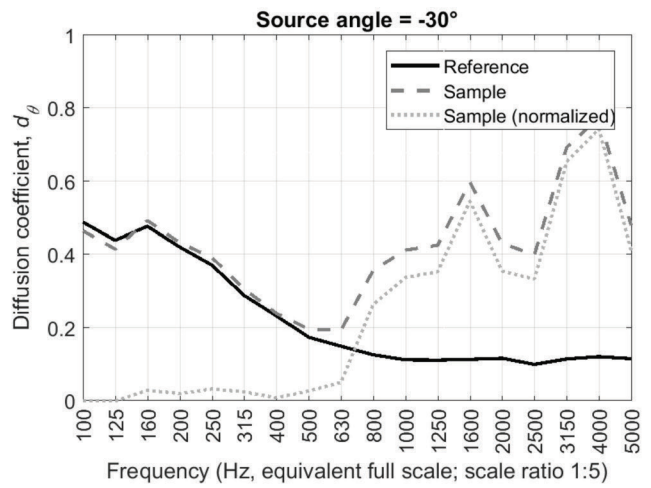


Figure 13c

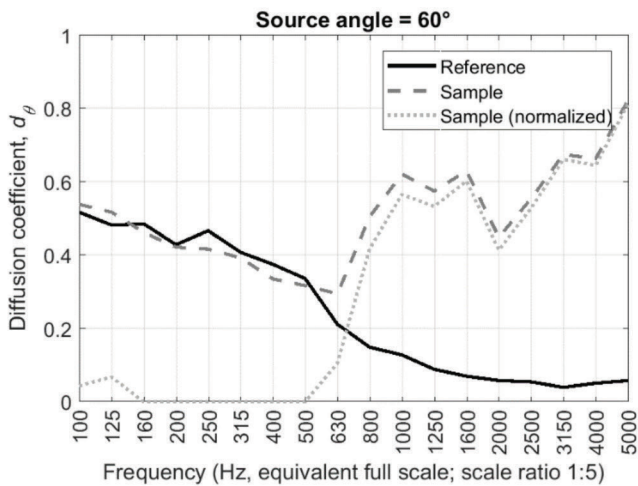


Figure 13d

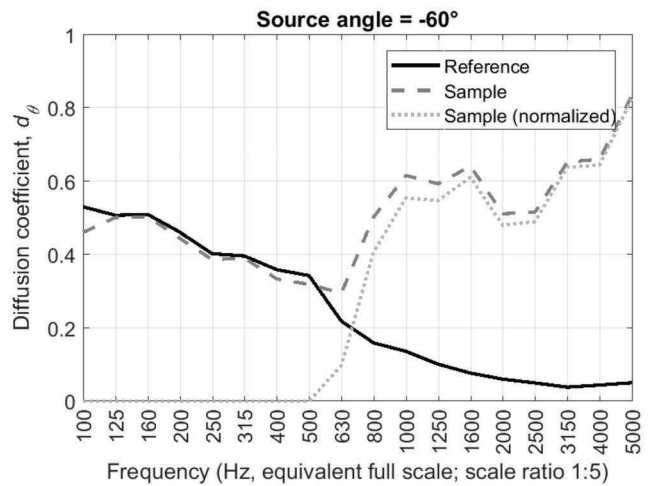


Figure 13e



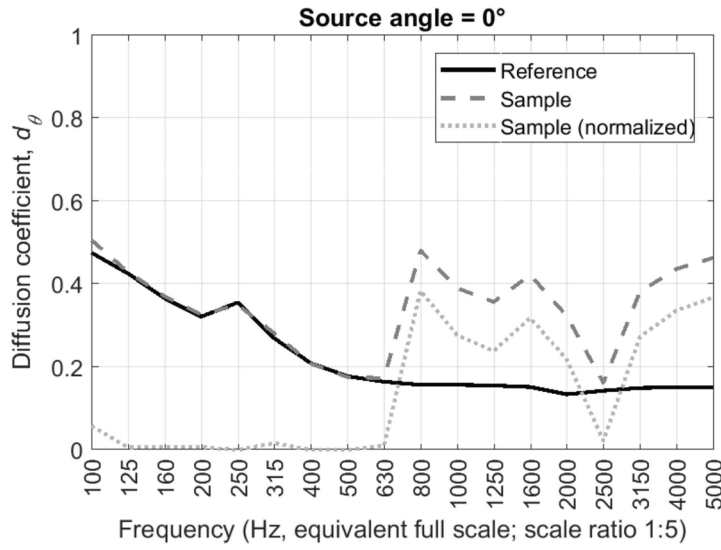


Figure 14a

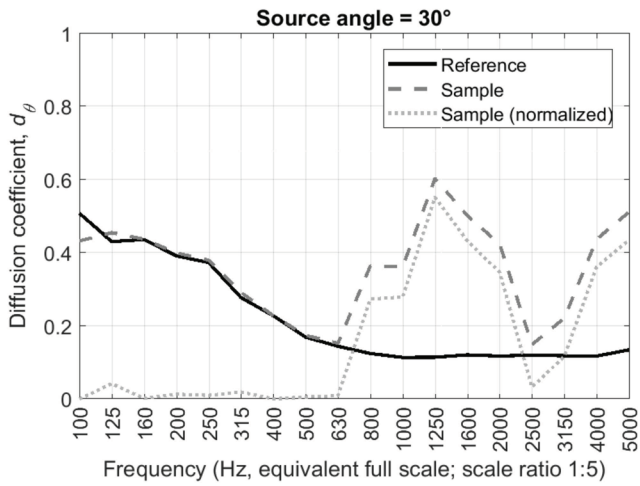


Figure 14b

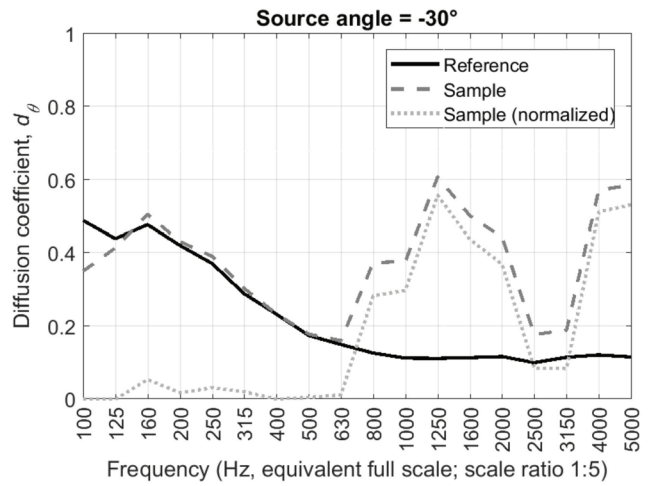


Figure 14c

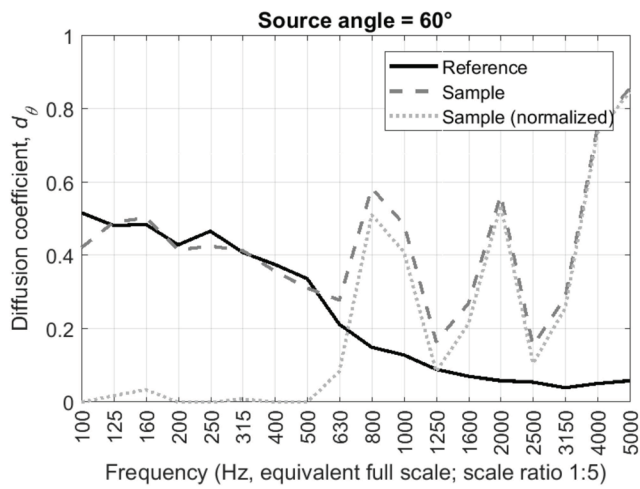


Figure 14d

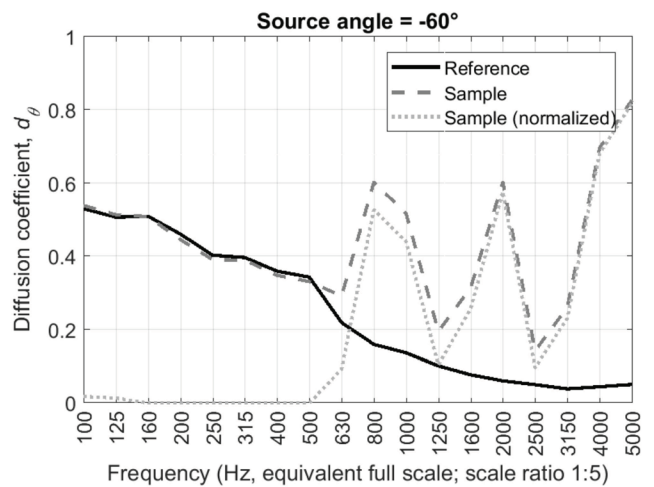


Figure 14e

Orientation A, source angle = 0°

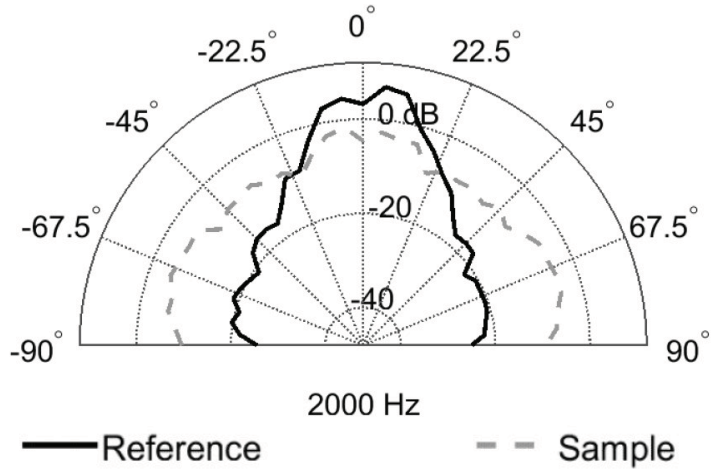


Figure 15a

Orientation A, source angle = 30°

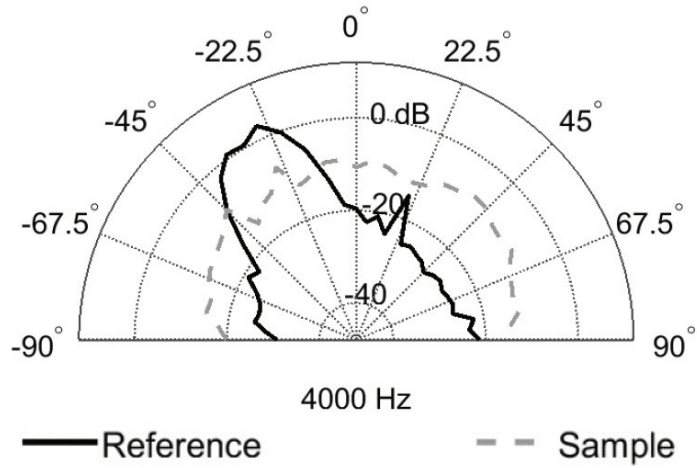


Figure 15b

Orientation A, source angle = 60°

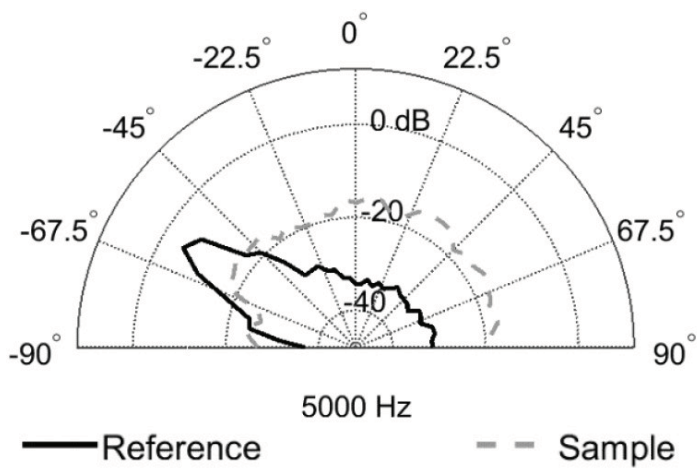


Figure 15c